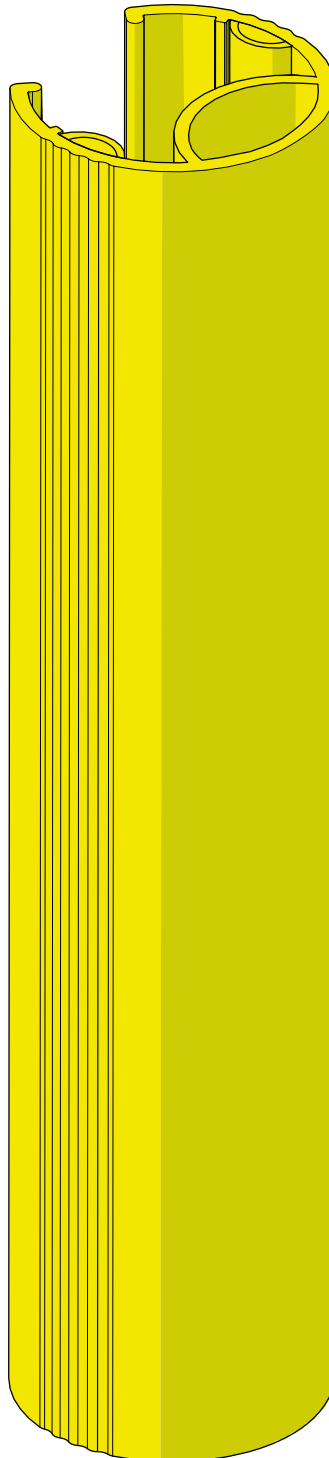
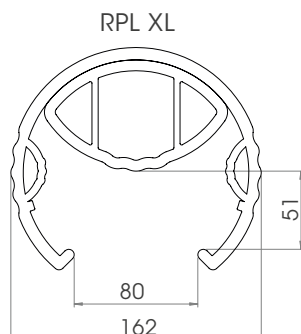
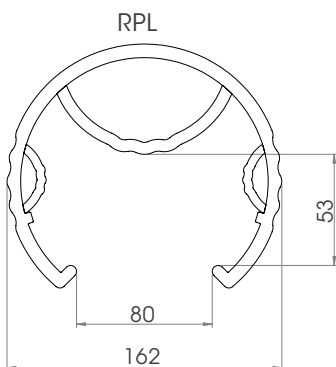
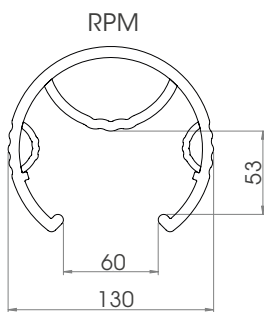
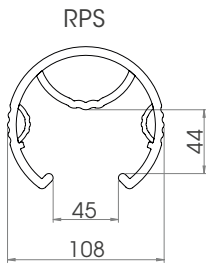


RPS/RPM/RPL/RPL XL 600

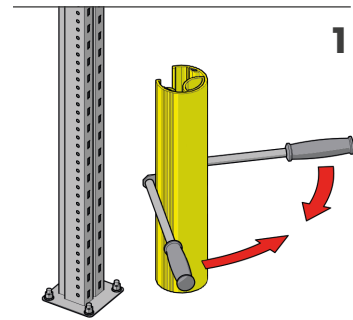
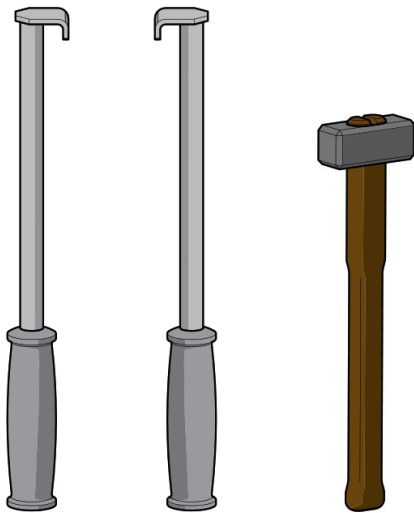
PROTEZIONE MONTANTE MEDIO
MEDIUM RACK PROTECTOR



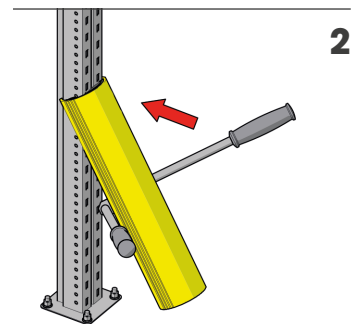
IMPACT TEST PASSED
according to
EN 15512:2009

RPS/RPM/RPL/RPL XL

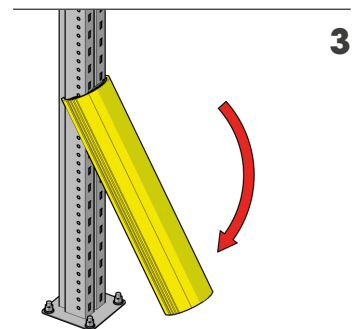
ISTRUZIONI DI INSTALLAZIONE
ASSEMBLY INSTRUCTIONS



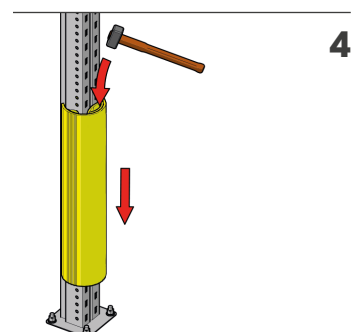
1



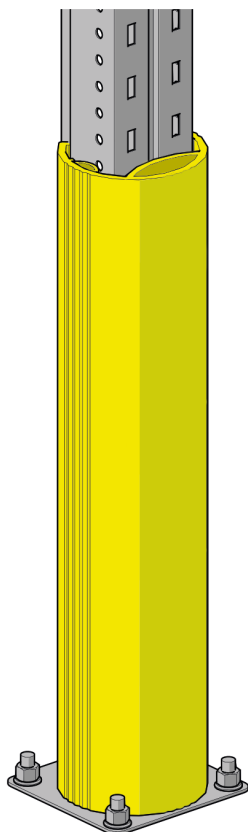
2



3



4



UPRIGHT SIZE LAYOUT

PLEASE **CHECK SIZE** MENTIONED AS "A" AND "B" AND EVENTUALLY "C" ON YOUR UPRIGHT IN ORDER TO CHOOSE THE RIGHT MODEL OF RACK PROTECTOR.

CUSTOMIZED PROTECTORS AVAILABLE ON REQUEST. SEND DIMENSIONS TO MPM TO GET THE CORRECT RP QUOTATION.

